



deltasteamsystems

SCI™

SCREWED VENTURI ORIFICE STEAM TRAP



**Description**

The Delta SCI™ Venturi Orifice Steam Trap is designed for medium-load process applications including heat exchangers, reboilers process columns, etc.

The SCI™ has a removable orifice insert. It is recommended that a strainer be fitted upstream of the trap.

**Standards**

This product fully complies with the requirements of the European Pressure Equipment Directive 97/23/EC as well as SANS 347:2007.

**Certification**

Manufacturer’s test report is available with this product. Additional certification requirements to be stated at time of order.

**Sizes and Connections**

DN25 (1”) - DN50 (2”)  
Screwed BSP / NPT

**Pressure / temperature limits**

PMA (Maximum Allowable Pressure) 55 bar g (797 psi g)  
TMA (Maximum Allowable Temperature) 270°C (518°F)  
PMO (Maximum Operating Pressure) 50 bar g (725 psi g)  
TMO (Maximum Operating Temperature) 270°C (518°F)

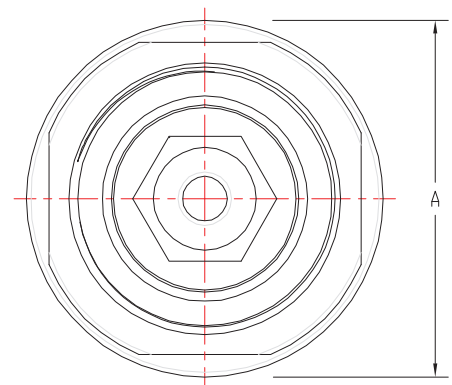
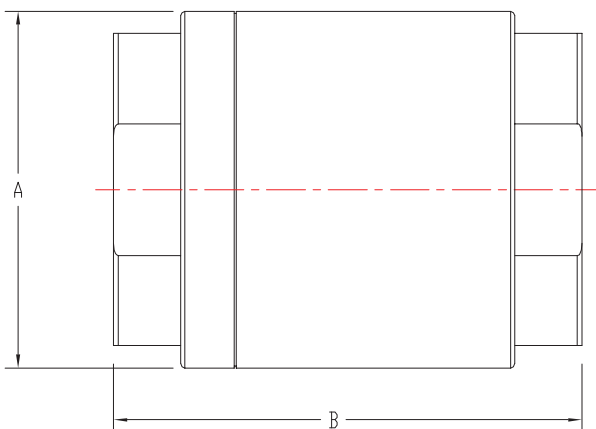
Cold hydraulic test pressure 100 bar g (1450 psi g)

**Guarantee**

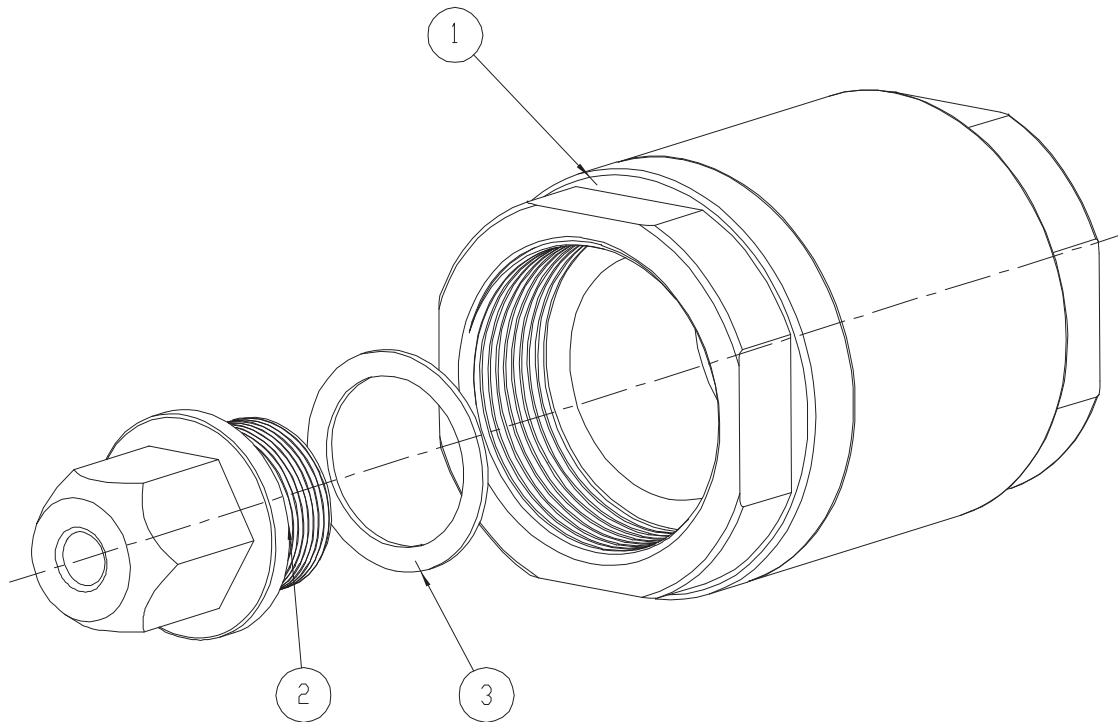
10 year product guarantee as per standard terms and conditions

**Dimensions and Weights**

Size	Connection	A	B	Weight
DN25	Screwed BSP / NPT	50	90	0.8
DN40	Screwed BSP / NPT	65	95	1.5
DN50	Screwed BSP / NPT	80	105	2.1



**Assembly**



No.	Part	Material
1	Body	304 Stainless Steel
2	Removable Orifice Insert	304 Stainless Steel
3	Gasket	Graphite